

PBM12 SERIES METAL PUSHBUTTON SWITCHES



PBM12-11M-RS-NNN-S0-S



PBM12-11M-HG-B2-S



PBM12-11M-RR-DR2-B2-S



PBM12-11Z-RS-DU3-S0-S

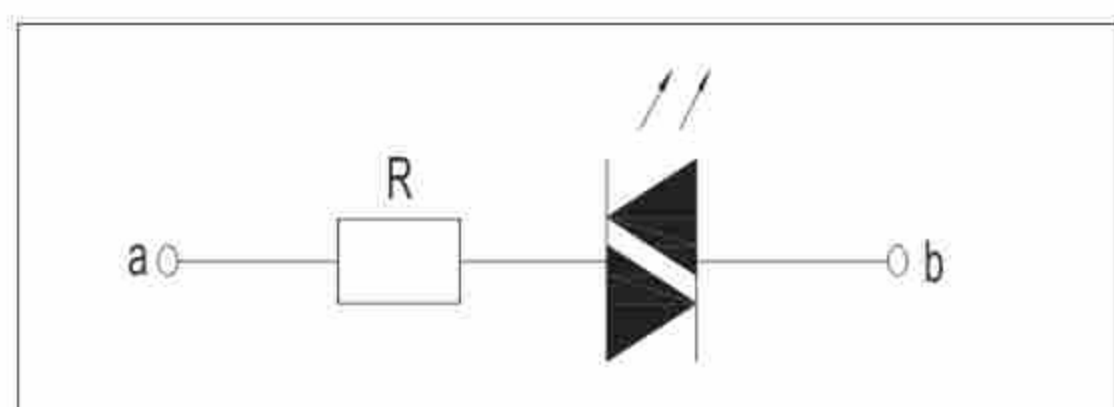


PBM12-11Z-RB-PW3-S0-S

灯珠规格

灯珠类型	LED灯珠		
额定电压	AC/DC6V	AC/DC 12V	AC/DC24V
发光颜色	R	G	Y O U W
寿命	约40000小时		

注：灯珠内置保护电阻,不需外接。其他电压规格可按要求定做。
灯珠等效电路图



SPECIFICATIONS

Circuit	: SPST
Current Rating	: 2A
Voltage Rating	: 360VDC
Dielectric withstanding voltage	: 1000VAC for 1 minute
Contact Resistance	: 50mΩ Max .(initial)
Insulation Resistance	: 100MΩ Min.
Operating Force	: 400±150gf
Total Travel	: 2.0±0.4mm
Operating Force	: 200,000 Cycles Min
Solder Specifications	: 260°C for 3 Seconds
Function	: Momentary ON-OFF
Operating Temperature	: -20°C ~ +70°C

开关表面效果 SWITCH SURFACE

Natural SUS 不锈钢本色	Mirror Chrome Plated 镜面镀铬	Velour Chrome Plated 丝绒铬	CD Pattern CD纹	AL Black Anodized 铝氧化黑	AL Gold Anodized 铝氧化金	AL Red Anodized 铝氧化红	Plastic button 塑胶按钮

Series 系列号	Function 开关功能		Button Type 按键类型		Lamp Type 灯类型			Body Type 外壳类型		Terminal Shape 端子形状	
	Switch Assemble 开关组合	Operation type 操作类型	Button Type 按键形状	Button Color 按键颜色	Light Type 发光形状	Lamp Color 灯颜色	Lamp Voltage 灯电压	Body Material 外壳材质	Switch Surface 表面效果	S	L
PBM12	11	M	F	S	N	N	N	B	0	S	Solder Terminal 焊线端子
	11	M	R	W	N	W	3	S	1	L	Connection Column 接线柱
		Z	H	R	D	R	6	Z	2		
		I	S	G	D	G	12	A	3		
				U		U	24		4		
				Y		Y	110		5		
				B			220		6		

PBM12 SERIES METAL PUSHBUTTON SWITCHES



PBM12-11M-RB-NNN-A6-S



PBM12-11M-RR-NNN-A6-S



PBM12-11M-RG-NNN-A6-S



PBM12-11M-RB-DR2-A6-S



PBM12-11M-SB-NNN-A6-S

带灯轻触开关

带灯按钮开关

按钮开关

金属按钮开关

翘板开关

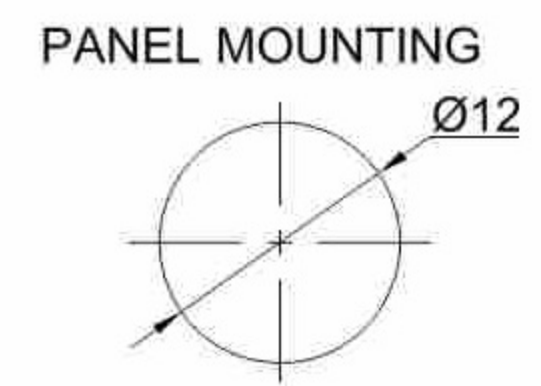
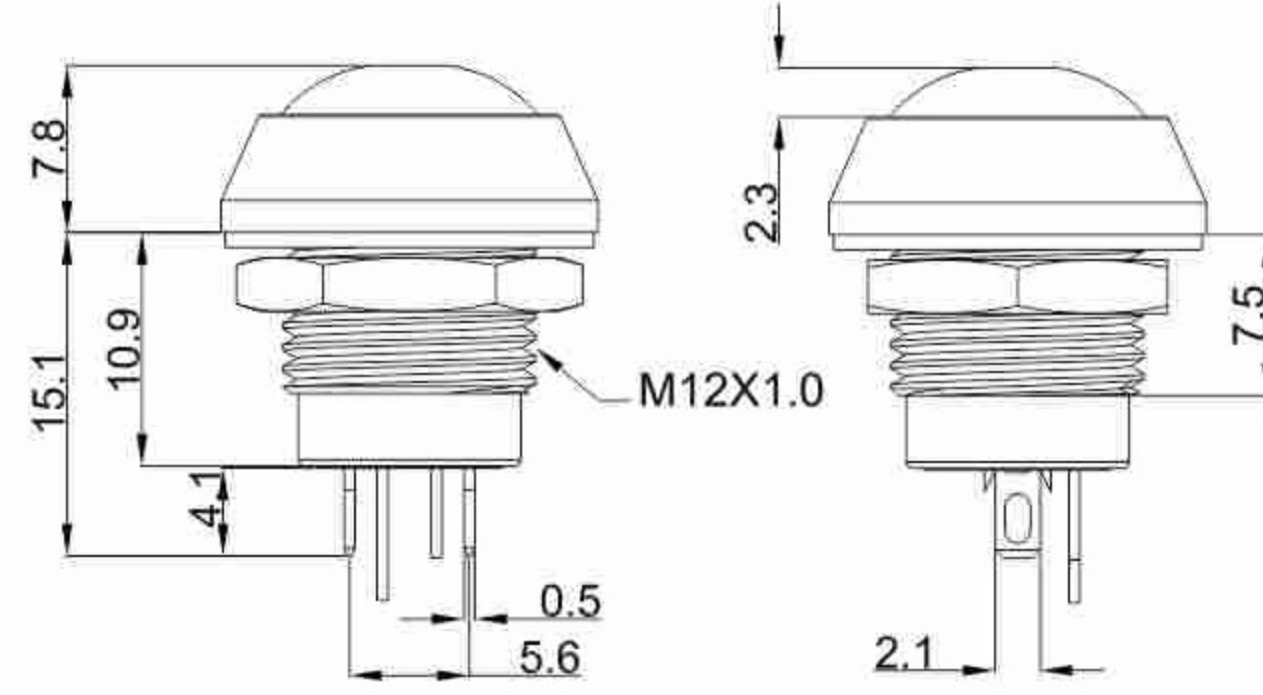
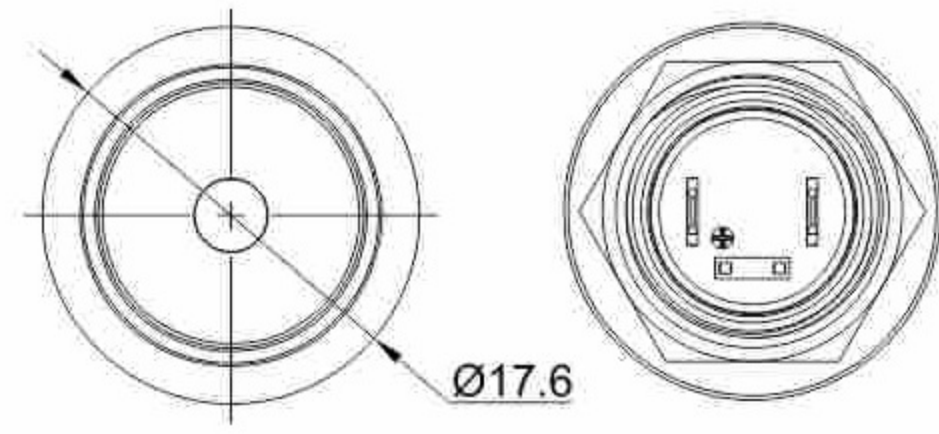
保险丝座

光电触摸开关

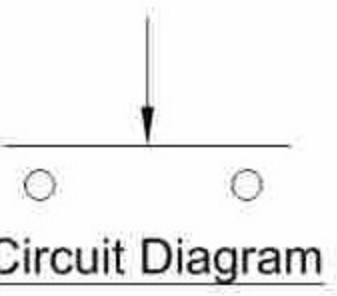
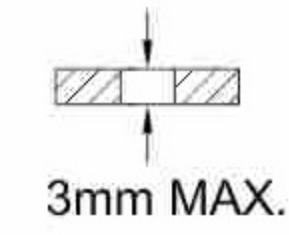
旋转开关



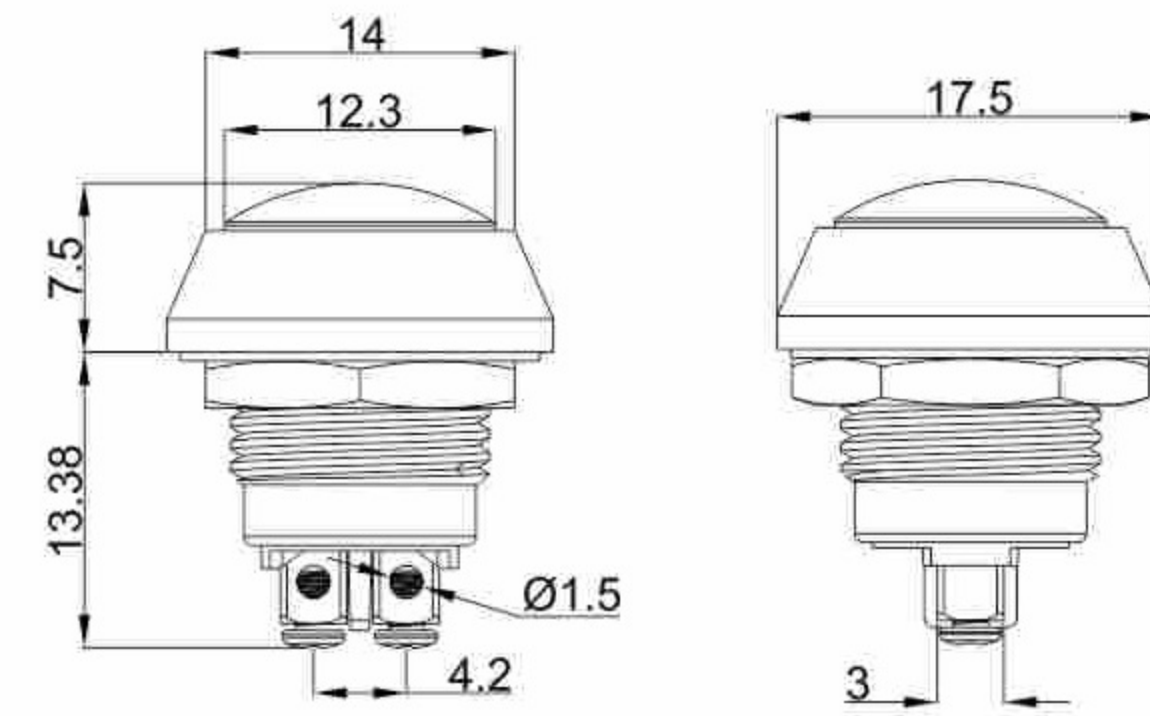
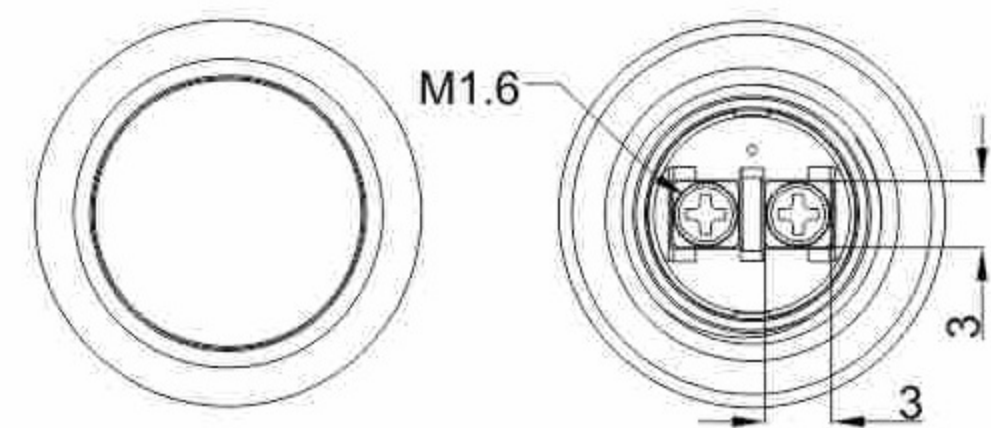
PBM12-11M-RR-DR2-A6-S



CUT-OUT



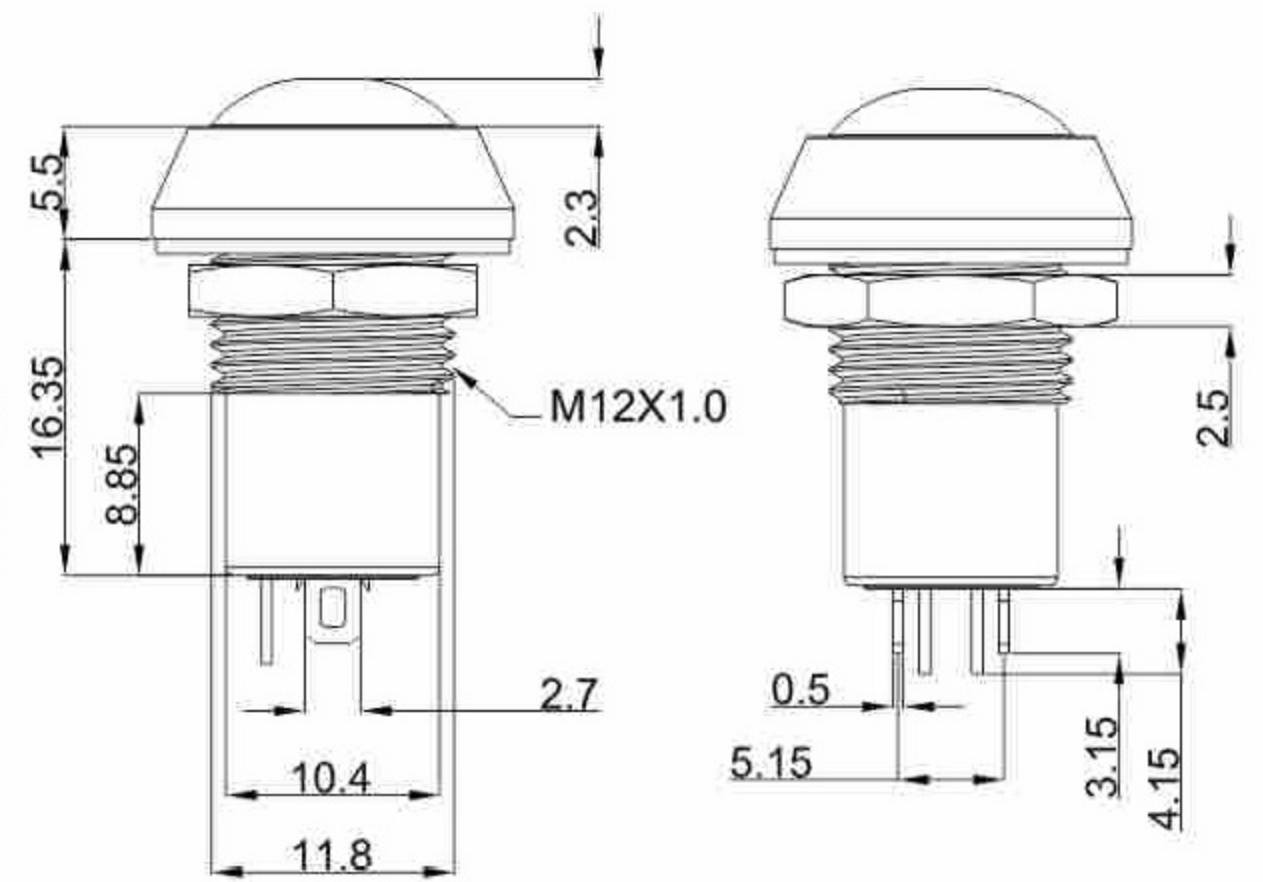
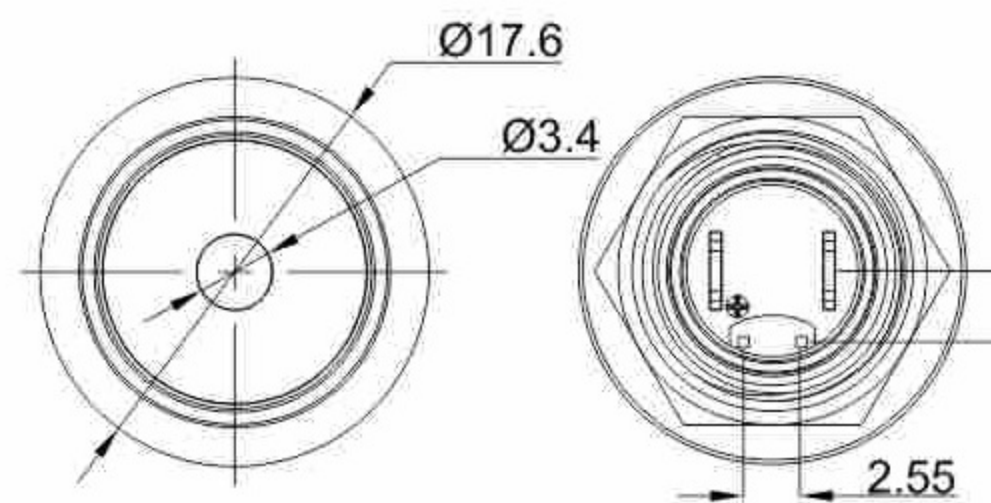
PBM12-11M-RS-NNN-S0-L



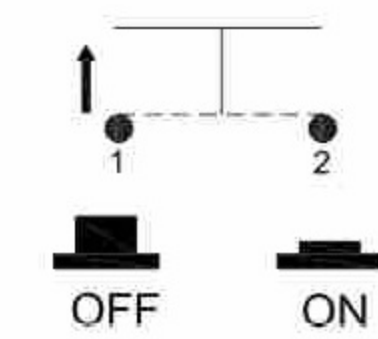
Circuit Diagram



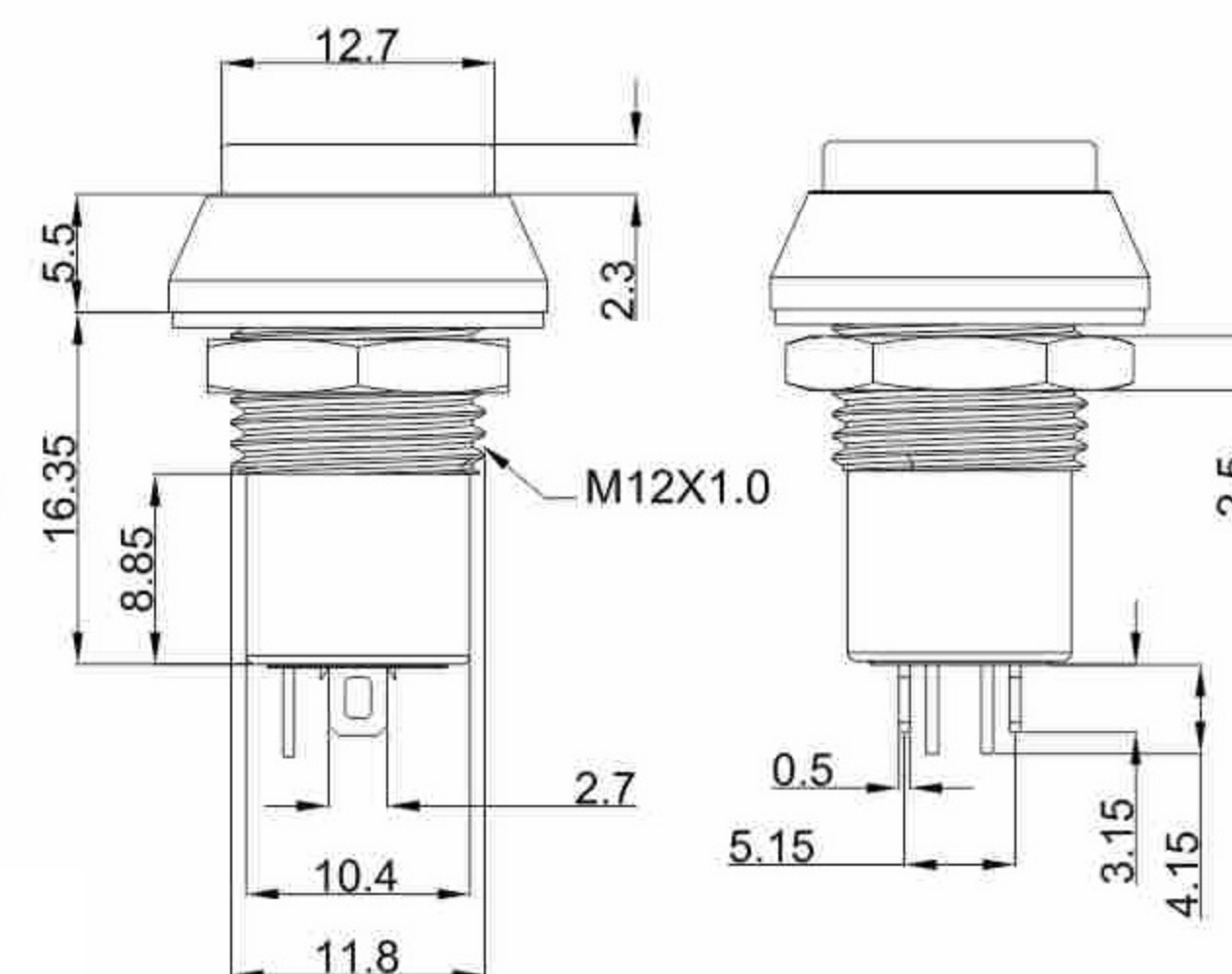
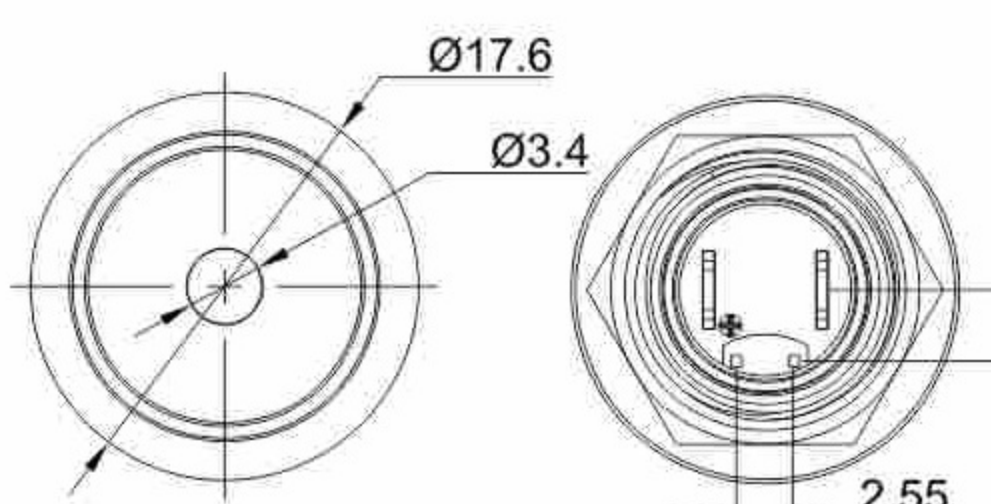
PBM12-11Z-RS-DG3-S0-S (自锁)



FUNCTION



PBM12-11Z-HU-DR2-A6-S (自锁)



PANEL MOUNTING

